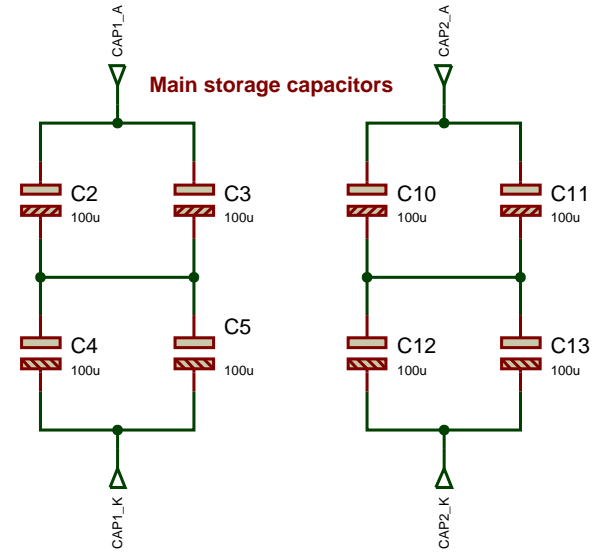
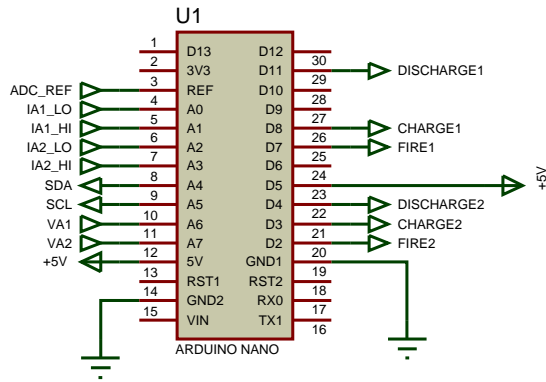
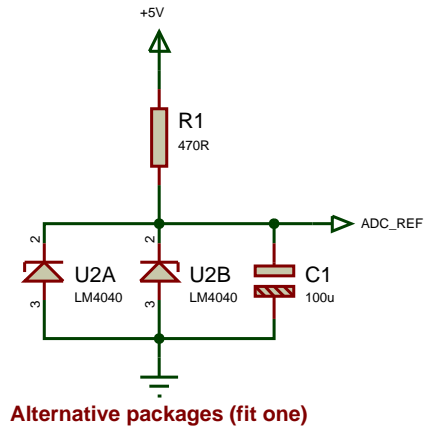
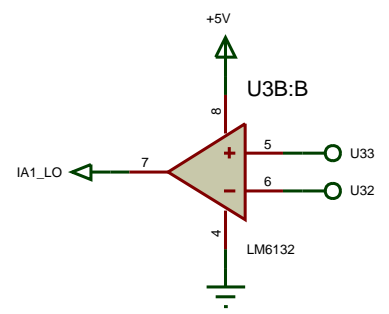
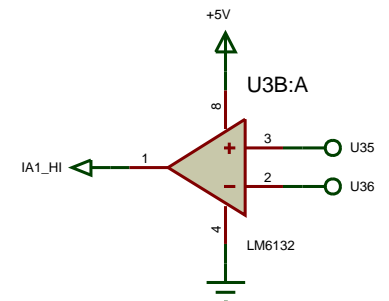
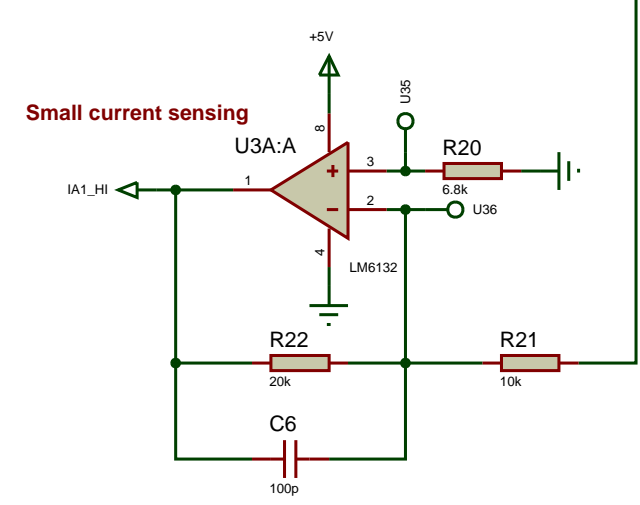
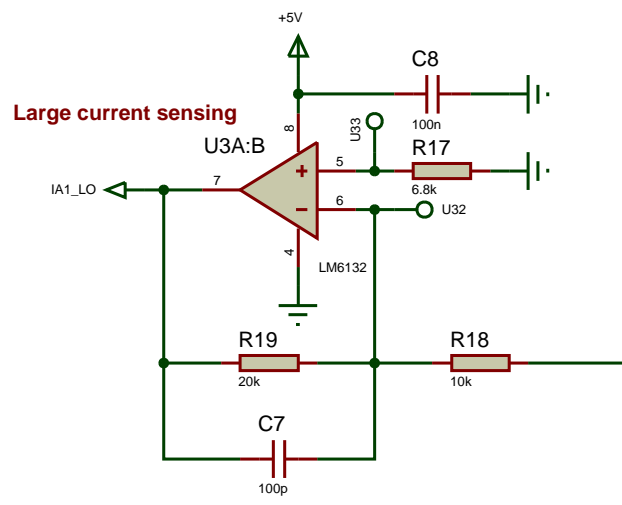
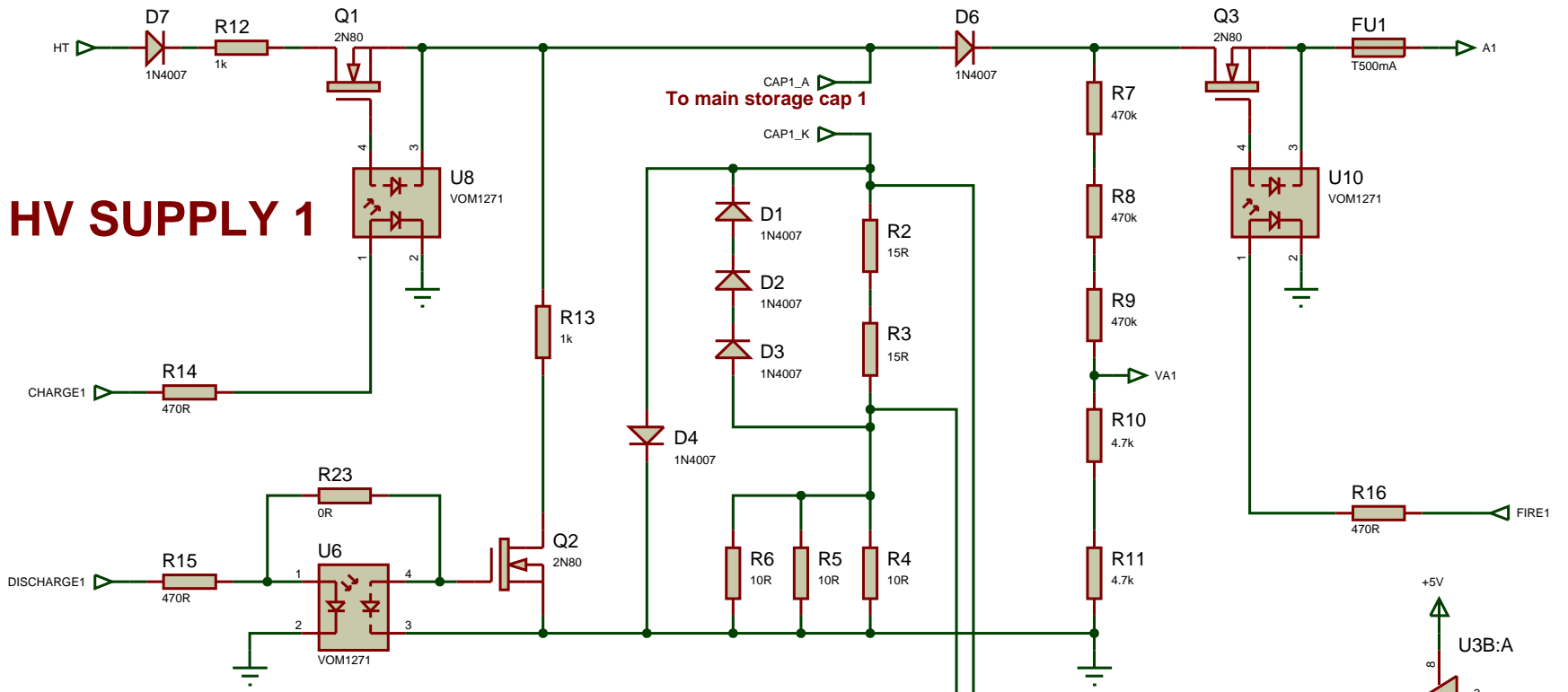
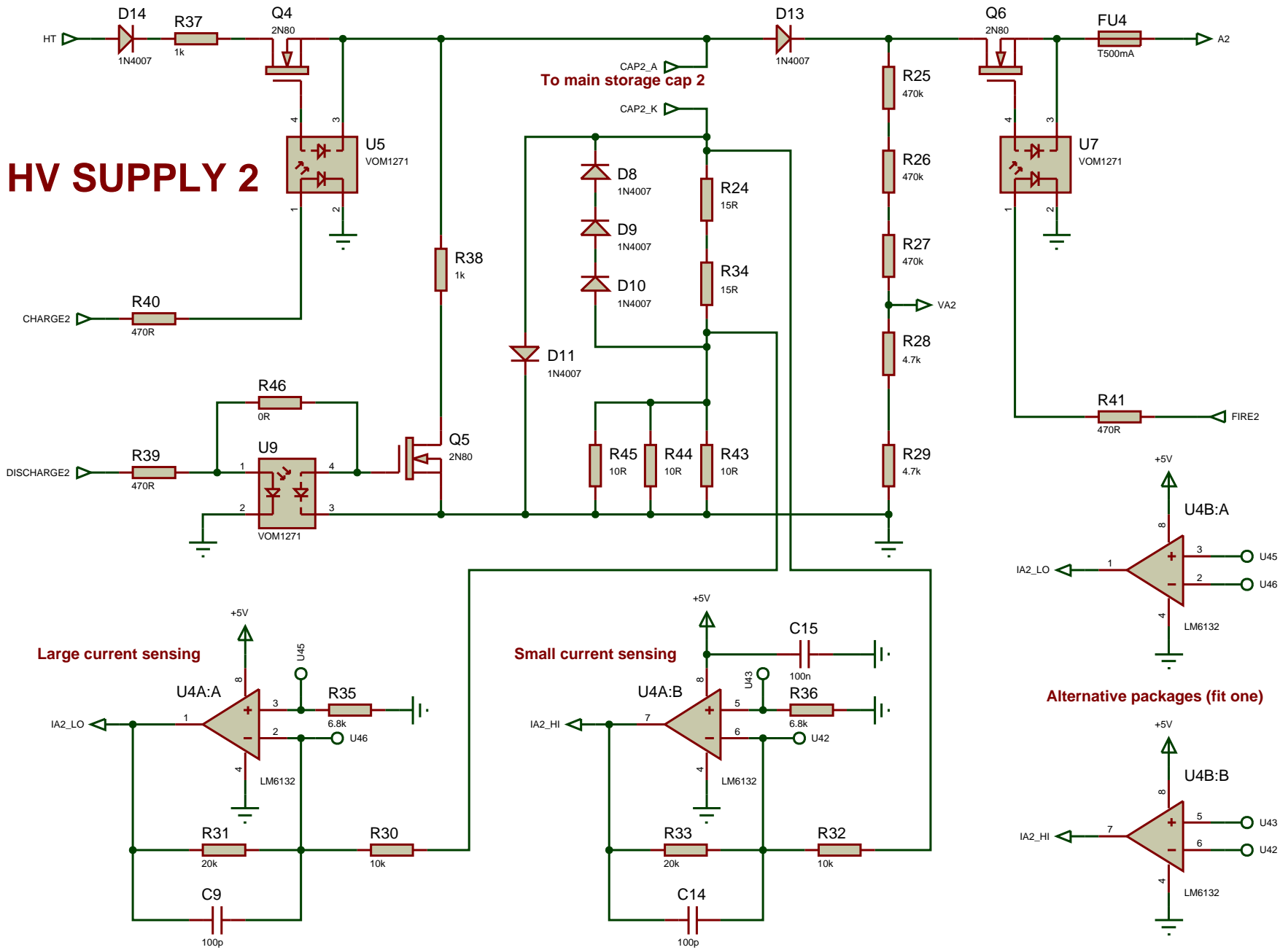


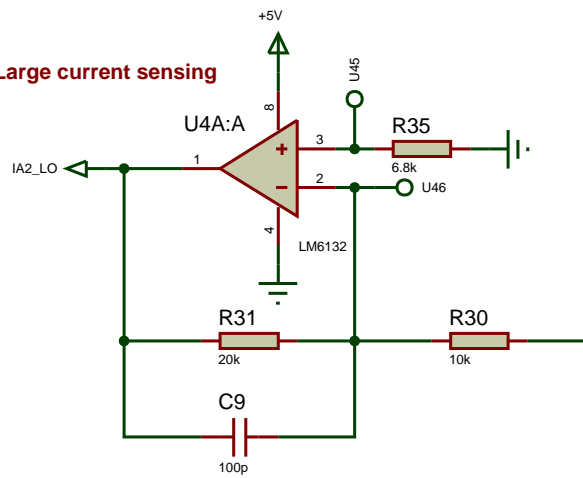
# ARDUINO



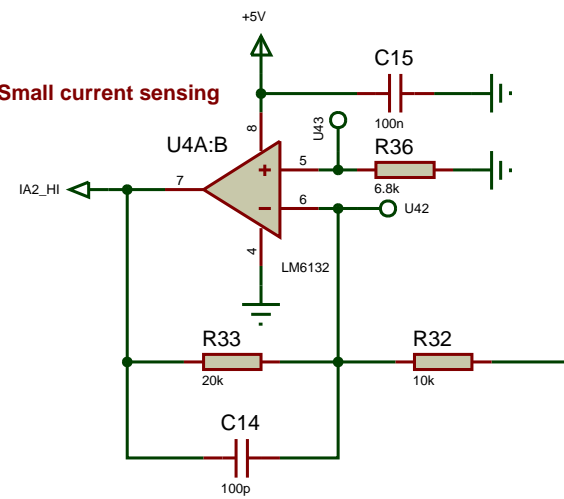




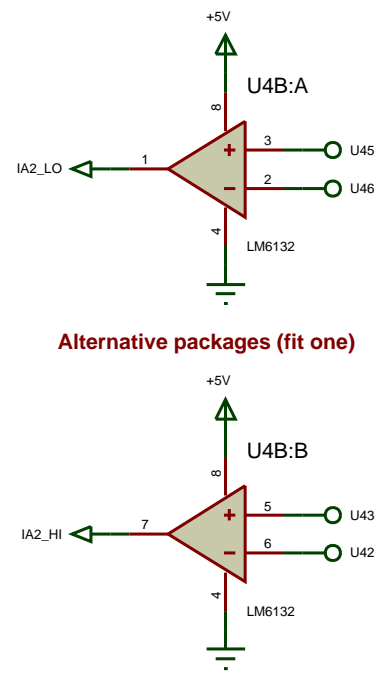
**Large current sensing**

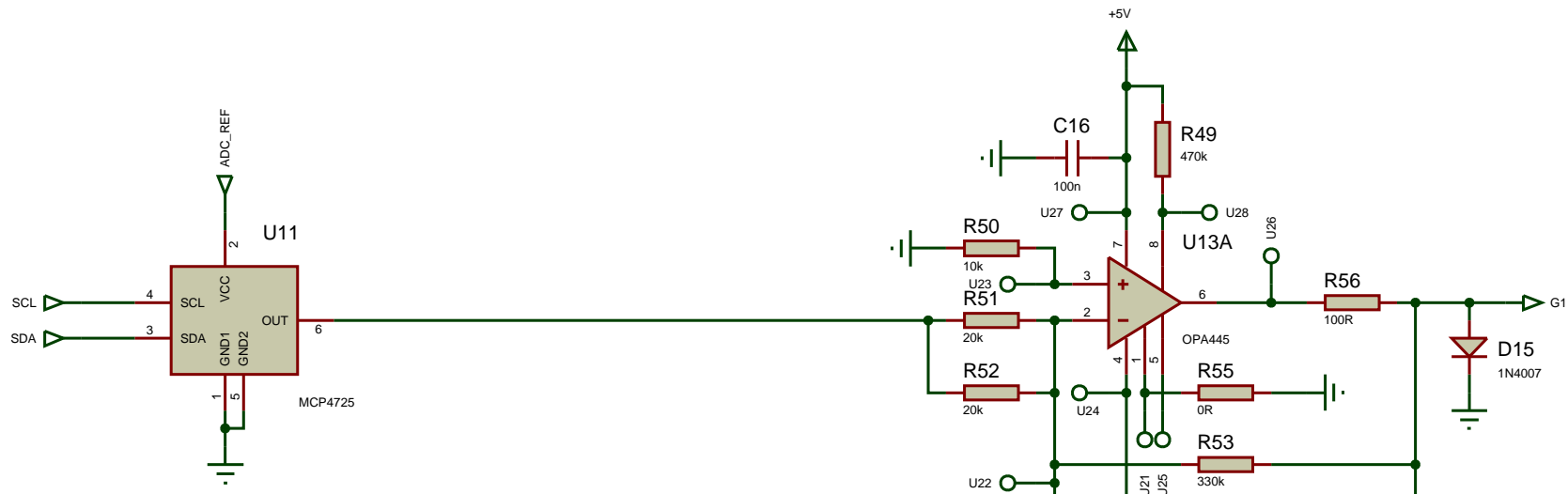


**Small current sensing**

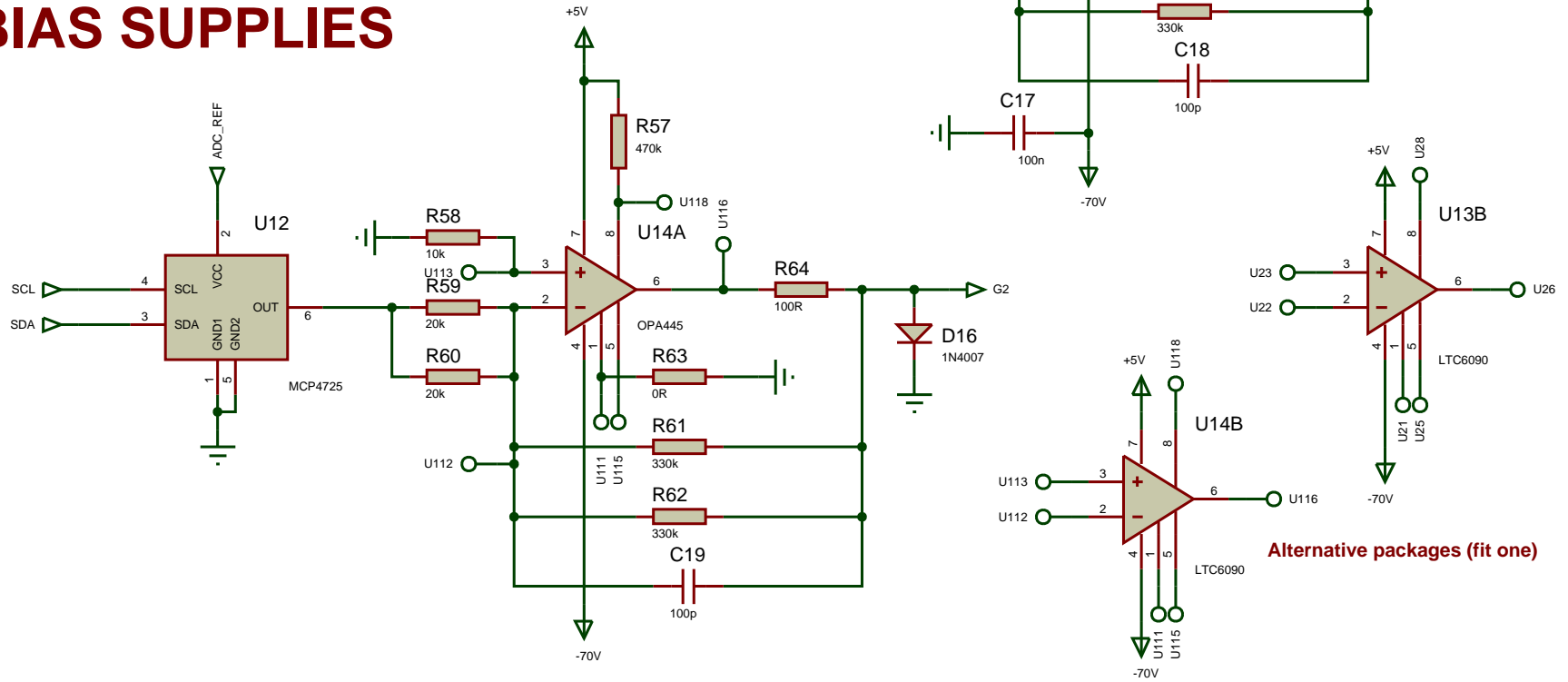


**Alternative packages (fit one)**

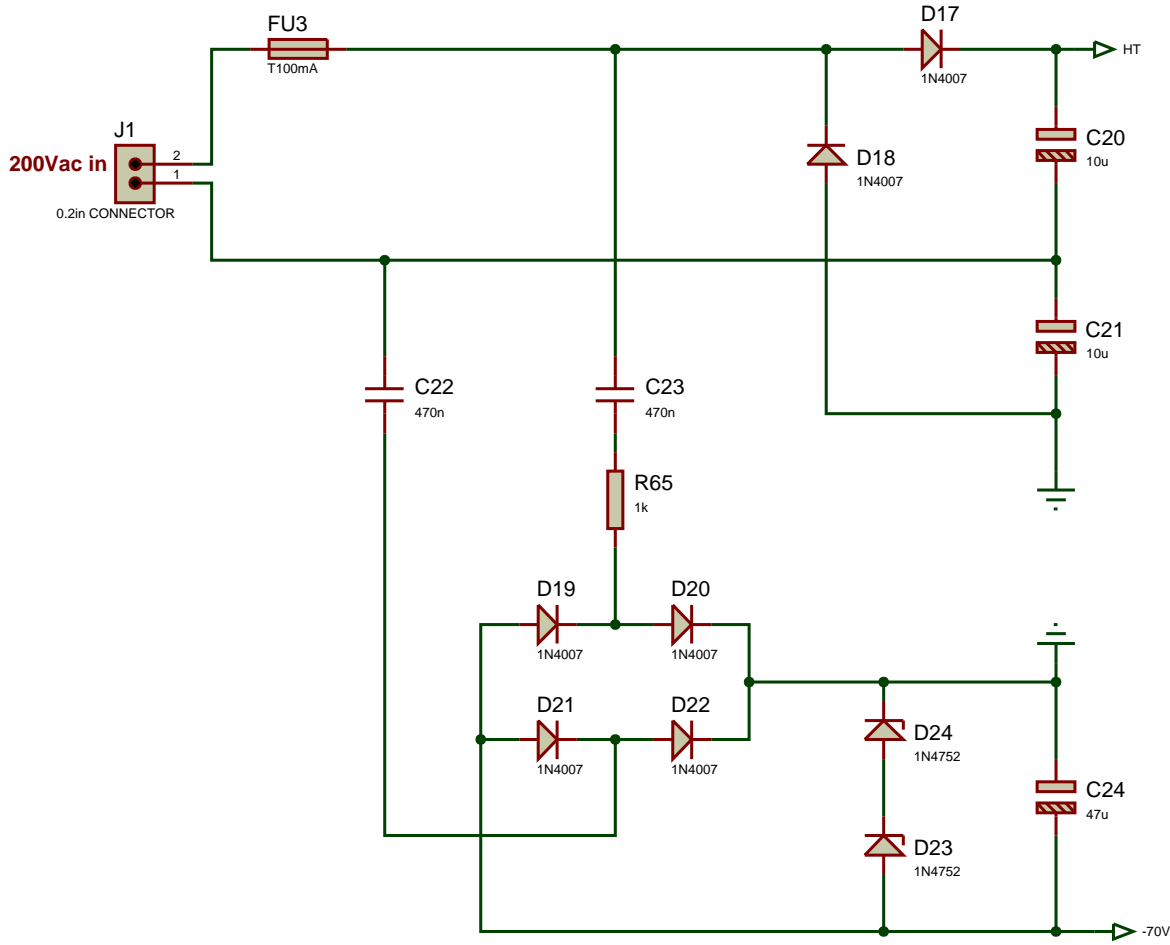




# BIAS SUPPLIES



# POWER SUPPLY



# TEST SOCKET

For EL34 / 6L6GC etc.

