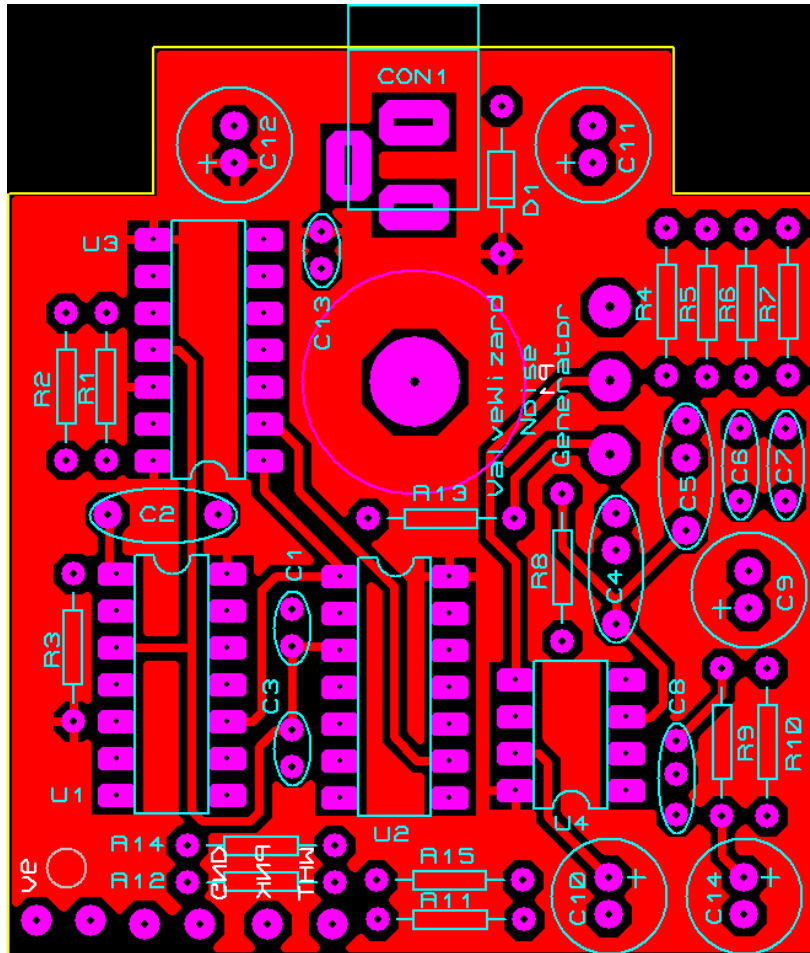
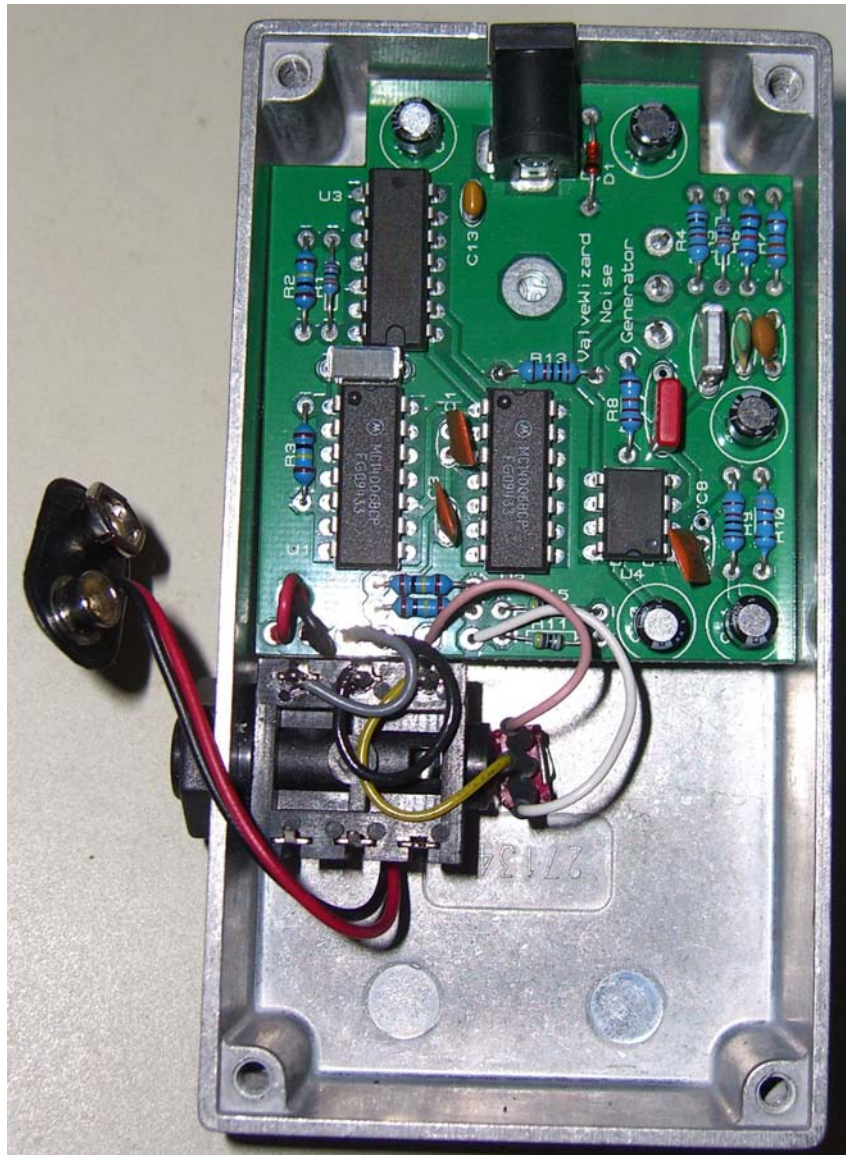
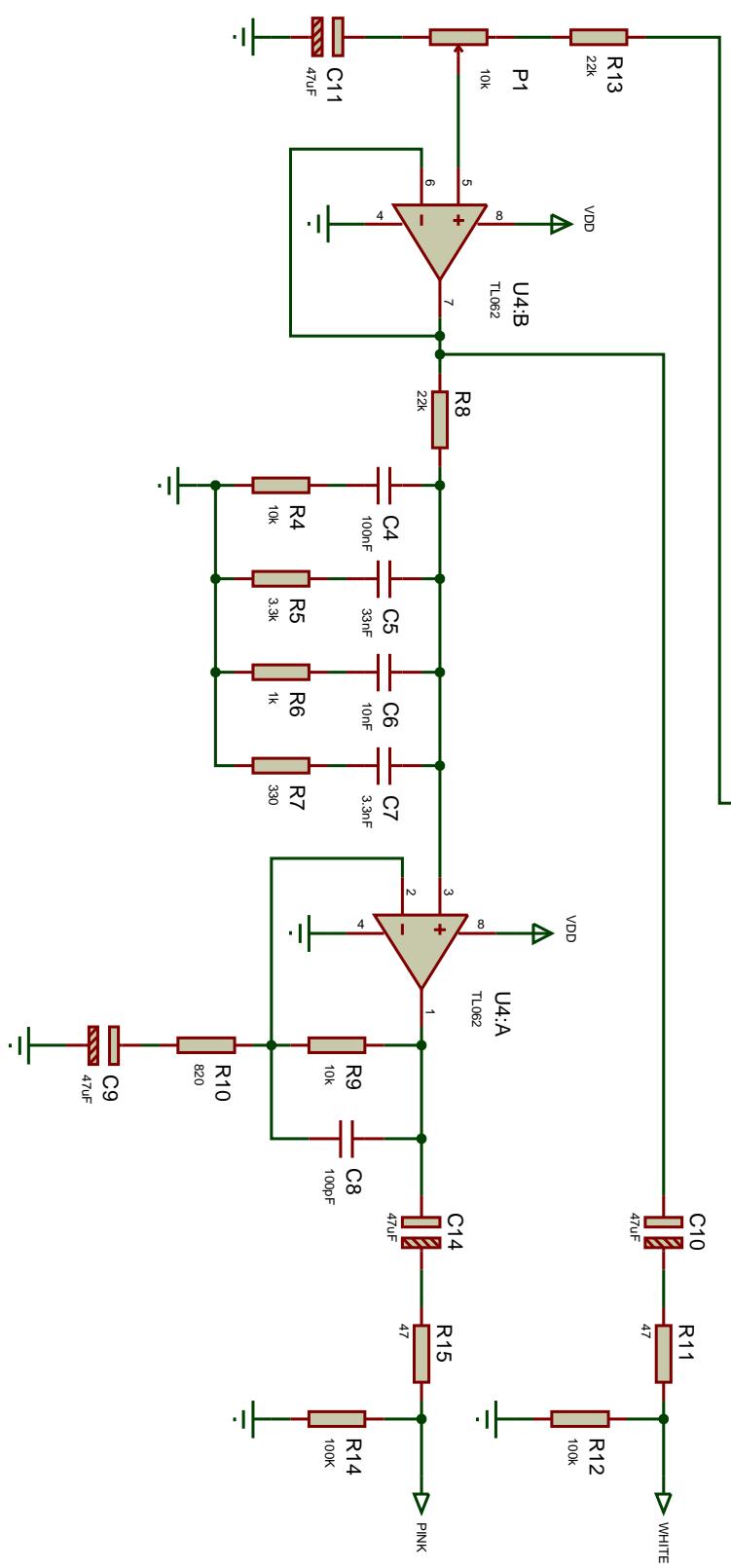
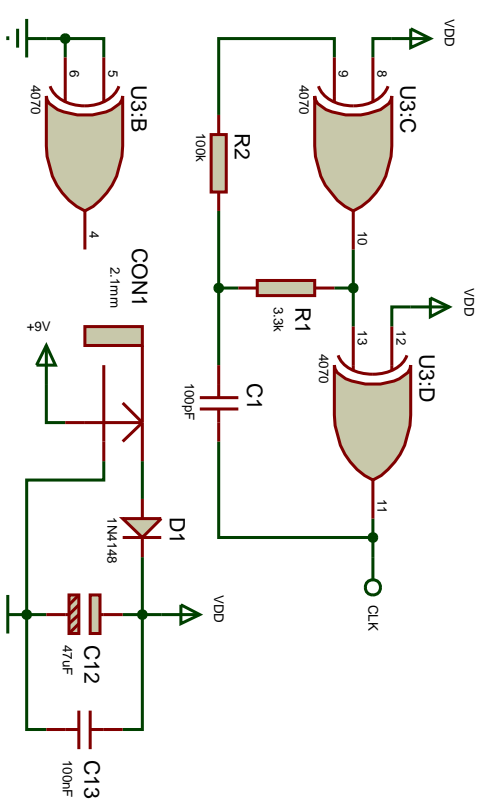
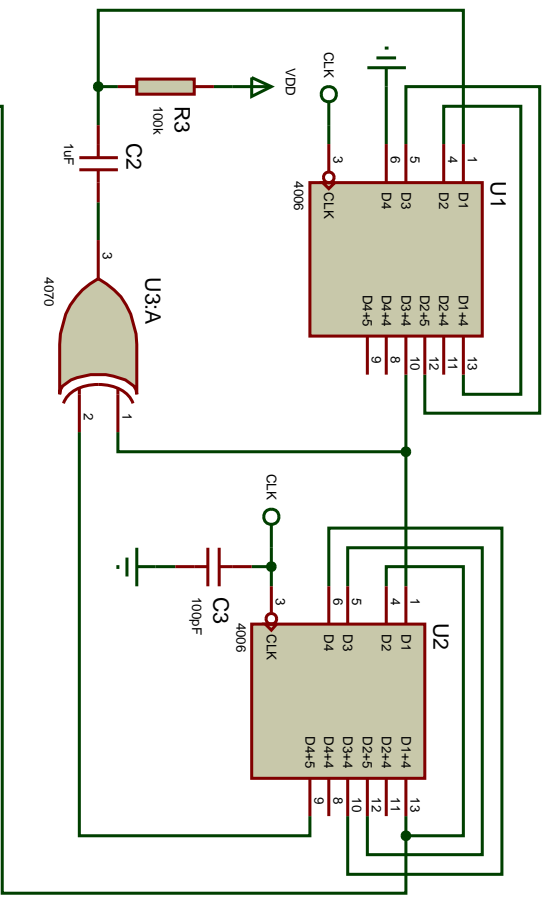


# Pseudorandom Noise Generator

*A ValveWizard circuit*







**Bill Of Materials For NoiseGenerator.DSN**

**Design Title** : NoiseGenerator.DSN  
**Author** : <NONE>  
**Revision** : <NONE>  
**Design Created** : 22 January 2015  
**Design Last Modified** : 28 April 2016  
**Total Parts In Design** : 36

**15 Resistors**

<u>Quantity:</u>	<u>References</u>	<u>Value</u>	<u>Notes</u>
2	R1, R5	3.3k	
4	R2, R3, R12, R14	100k	
2	R4, R9	10k	
1	R6	1k	
1	R7	330	
2	R8, R13	22k	
1	R10	820	
2	R11, R15	47	

**14 Capacitors**

<u>Quantity:</u>	<u>References</u>	<u>Value</u>	<u>Notes</u>
3	C1, C3, C8	100pF	
1	C2	1uF	
2	C4, C13	100nF	
1	C5	33nF	
1	C6	10nF	
1	C7	3.3nF	
5	C9-C12, C14	47uF	

**4 Integrated Circuits**

<u>Quantity:</u>	<u>References</u>	<u>Value</u>	<u>Notes</u>
2	U1, U2	4006	
1	U3	4070	
1	U4	TL062	

**1 Diodes**

<u>Quantity:</u>	<u>References</u>	<u>Value</u>	<u>Notes</u>
1	D1	1N4148	

**2 Miscellaneous**

<u>Quantity:</u>	<u>References</u>	<u>Value</u>	<u>Notes</u>
1	CON1	2.1mm	
1	P1	10k	

⏪ +5 to 15Vdc  
10mA max.



~400mV at 9Vdc  
20Hz-20kHz

LEVEL

True white noise +/-1dB <10Hz-100kHz  
True pink noise +/-1dB 20Hz-100kHz  
Unweighted RMS white and pink noise are  
equal within the bandwidth 20Hz-20kHz

WHITE



OUTPUT

PINK

