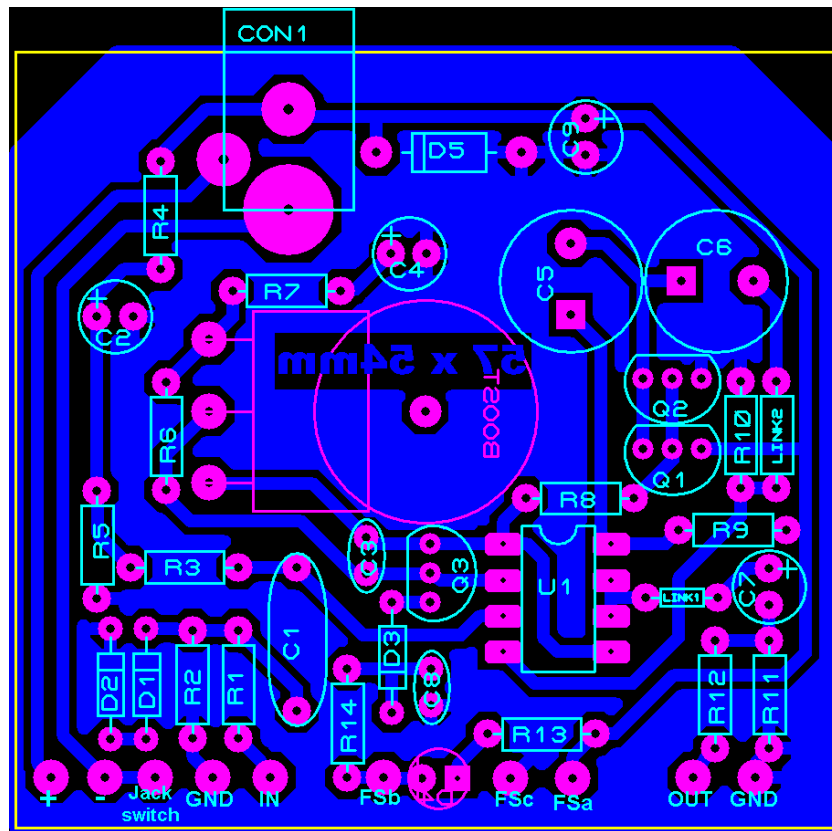
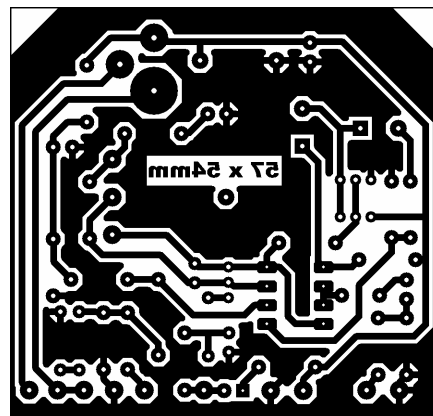
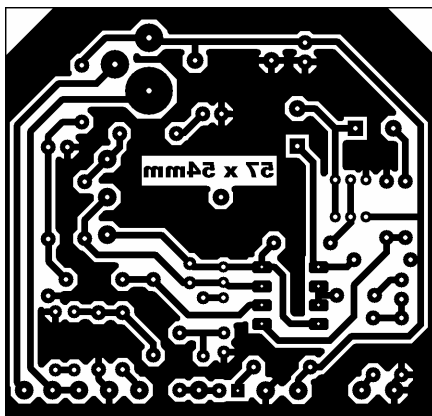


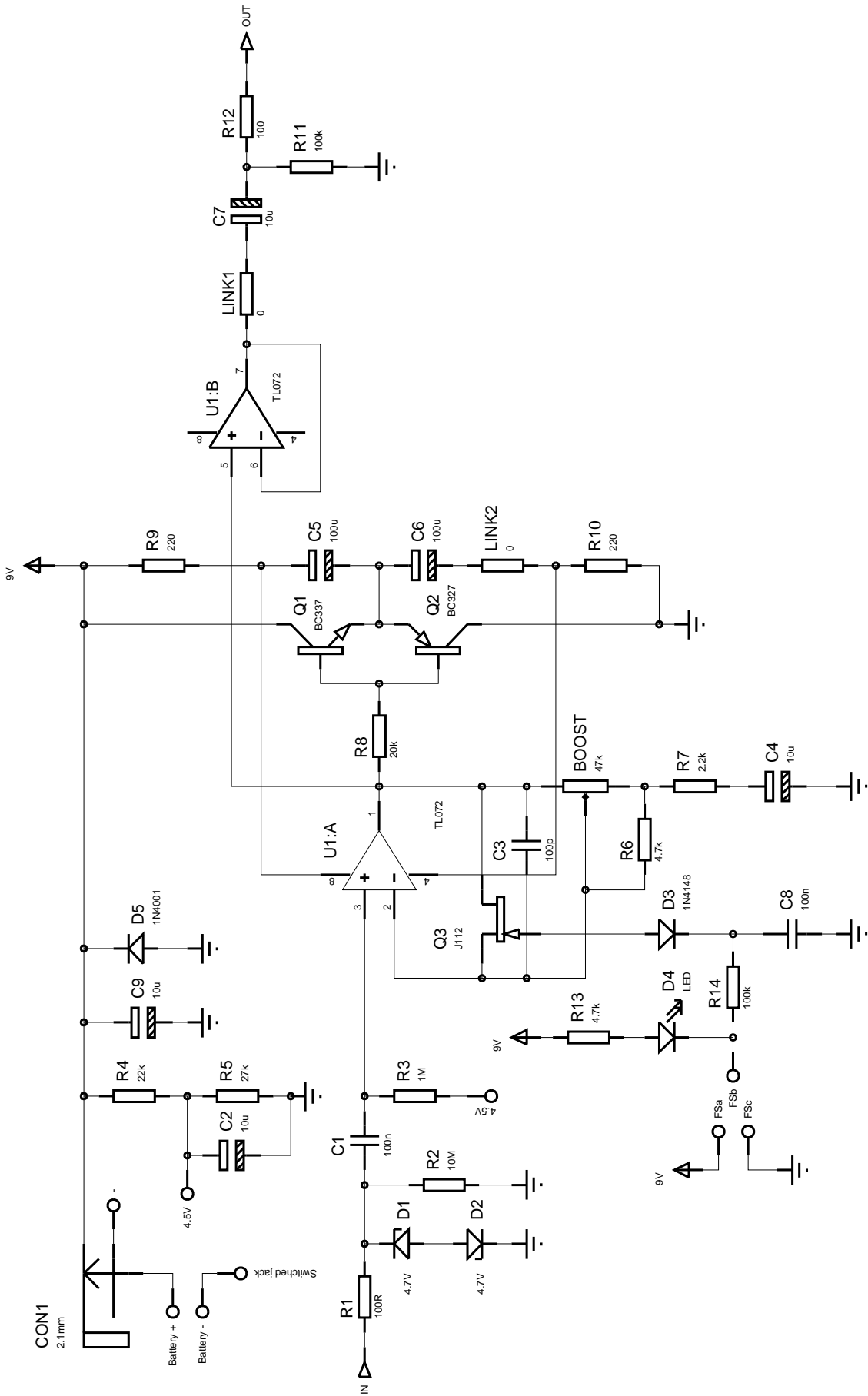
GlassBlower (without VU meter)



Dimensions 57 x 54mm







Bill Of Materials For Glass Blower

Design Title : Glass Blower
Author : Valve Wizard
Revision : 2
Design Created : 10 September 2010
Design Last Modified : 04 March 2012
Total Parts In Design : 36

14 Resistors

<u>Quantity:</u>	<u>References</u>	<u>Value</u>	<u>Notes</u>
1	R1	100R	
1	R2	10M	Optional
1	R3	1M	
1	R4	22k	
1	R5	27k	
2	R6, R13	4.7k	
1	R7	2.2k	
1	R8	20k	
2	R9, R10	220	
2	R11, R14	100k	
1	R12	100	

9 Capacitors

<u>Quantity:</u>	<u>References</u>	<u>Value</u>	<u>Notes</u>
2	C1, C8	100n	
4	C2, C4, C7, C9	10u	
1	C3	100p	
2	C5, C6	100u	

1 Integrated Circuits

<u>Quantity:</u>	<u>References</u>	<u>Value</u>	<u>Notes</u>
1	U1	TL072	Other dual opamps will work

3 Transistors

<u>Quantity:</u>	<u>References</u>	<u>Value</u>	<u>Notes</u>
1	Q1	BC337	Or other high gain, high current NPN

1	Q2	BC327	Or other high gain, high current PNP
1	Q3	J112	

5 Diodes

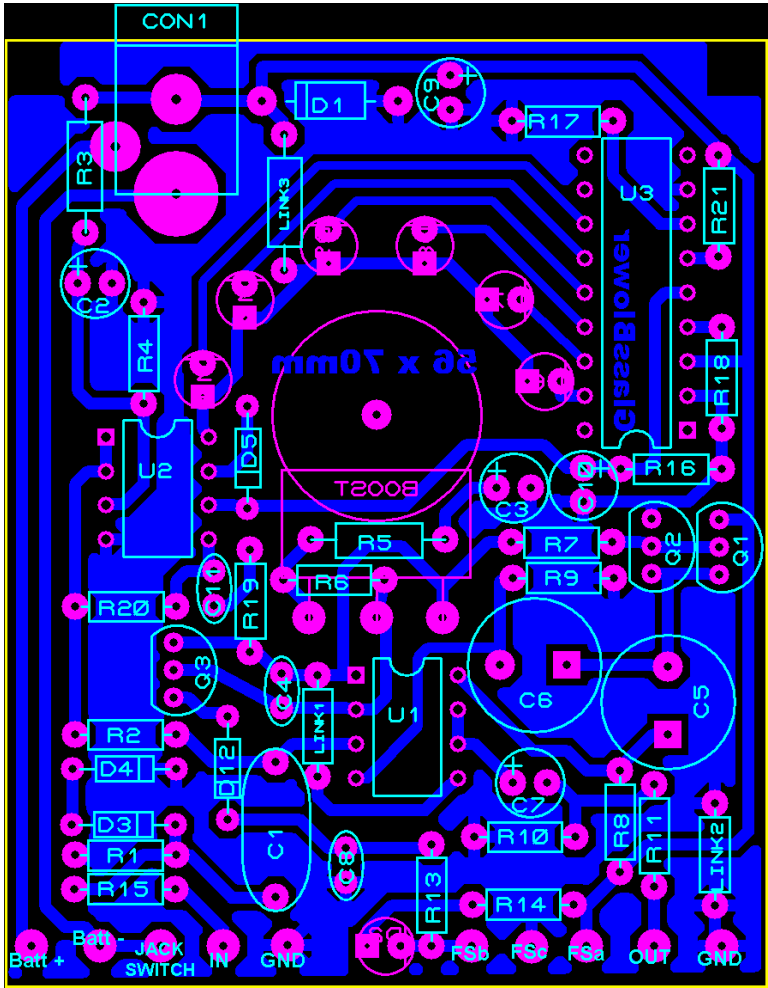
<u>Quantity:</u>	<u>References</u>	<u>Value</u>	<u>Notes</u>
2	D1, D2	4.7V	e.g., BZX55C4V7 (Optional)
1	D3	1N4148	
1	D4	LED	
1	D5	1N4001	

4 Miscellaneous

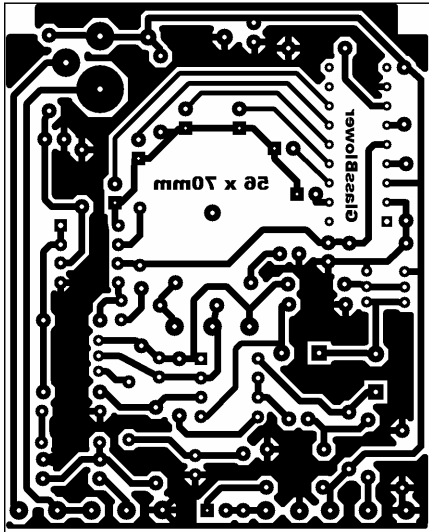
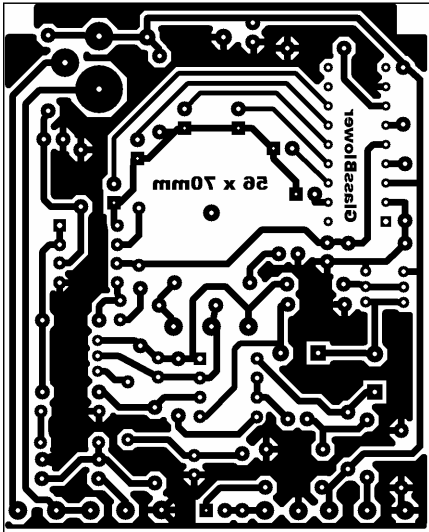
<u>Quantity:</u>	<u>References</u>	<u>Value</u>	<u>Notes</u>
1	BOOST	47k	16mm Linear Pot
1	CON1	2.1mm	
2	LINK1, LINK2	0	

04 March 2012 10:20:46

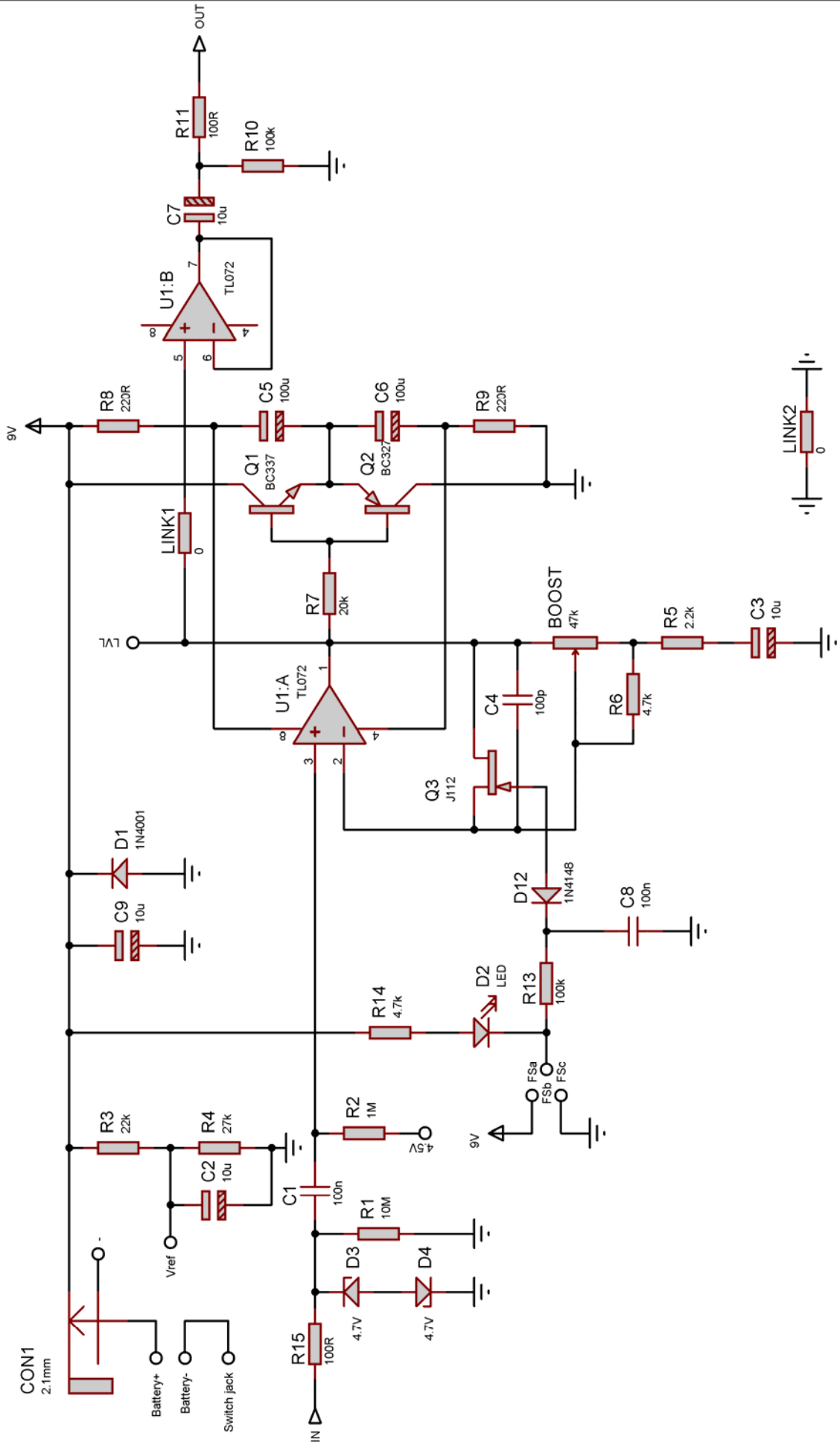
GlassBlower GTI (with VU meter)

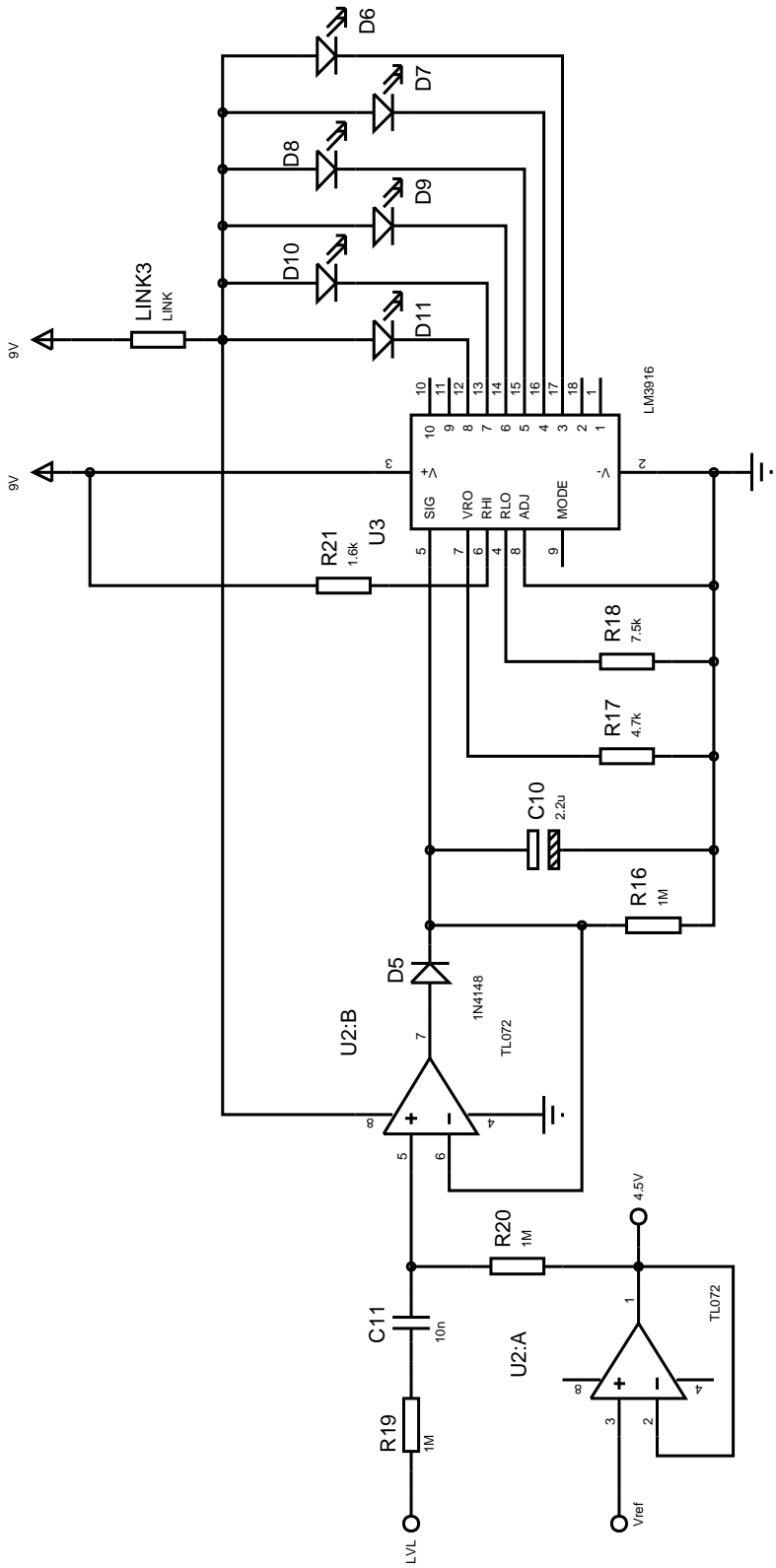


Dimensions 56 x 70mm









Bill Of Materials For Glass Blower GTI

Design Title : Glass Blower GTI
Author : Valve Wizard
Revision : 1
Design Created : 10 September 2010
Design Last Modified : 04 March 2012
Total Parts In Design : 54

20 Resistors

<u>Quantity:</u>	<u>References</u>	<u>Value</u>	<u>Notes</u>
1	R1	10M	Optional
4	R2, R16, R19, R20	1M	
1	R3	22k	
1	R4	27k	
1	R5	2.2k	
3	R6, R14, R17	4.7k	
1	R7	20k	
2	R8, R9	220R	
2	R10, R13	100k	
2	R11, R15	100R	
1	R18	7.5k	
1	R21	1.6k	

11 Capacitors

<u>Quantity:</u>	<u>References</u>	<u>Value</u>	<u>Notes</u>
2	C1, C8	100n	
4	C2, C3, C7, C9	10u	
1	C4	100p	
2	C5, C6	100u	
1	C10	2.2u	
1	C11	10n	

3 Integrated Circuits

<u>Quantity:</u>	<u>References</u>	<u>Value</u>	<u>Notes</u>
1	U1	TL072	Other dual opamps will work
1	U2	TL072	
1	U3	LM3916	

3 Transistors

<u>Quantity:</u>	<u>References</u>	<u>Value</u>	<u>Notes</u>
1	Q1	BC337	Most other JFETs will work
1	Q2	BC327	
1	Q3	J112	

12 Diodes

<u>Quantity:</u>	<u>References</u>	<u>Value</u>	<u>Notes</u>
1	D1	1N4001	e.g., BZX55C4V7 (optional)
1	D2	LED	
2	D3, D4	4.7V	
2	D5, D12	1N4148	
6	D6-D11	3MM LED	

5 Miscellaneous

<u>Quantity:</u>	<u>References</u>	<u>Value</u>	<u>Notes</u>
1	BOOST	47k	16mm linear pot
1	CON1	2.1mm	
3	LINK1- LINK3	0	