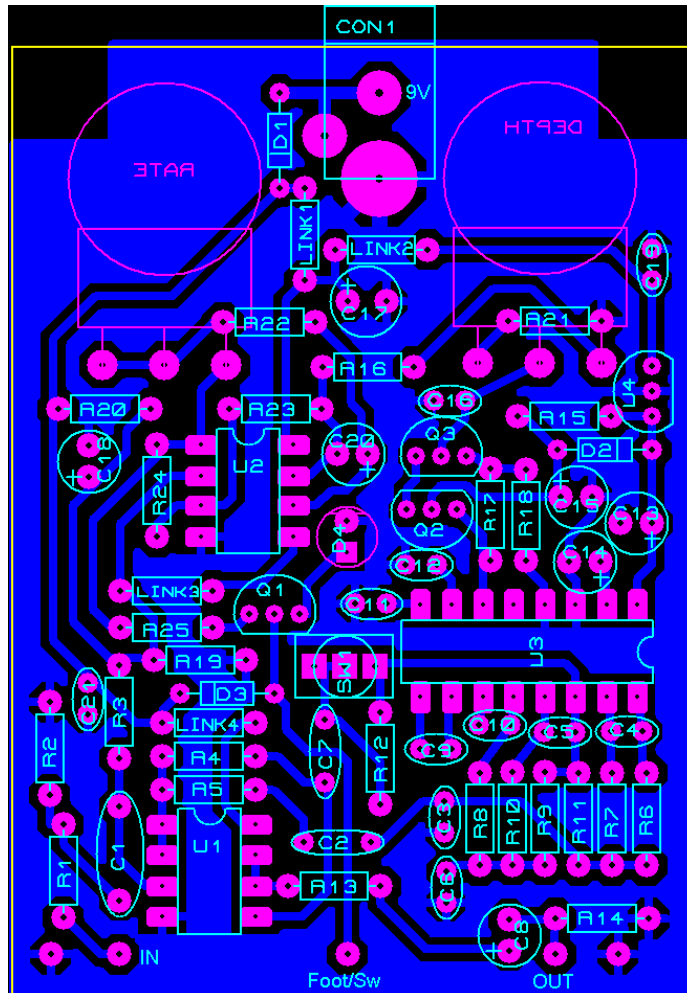
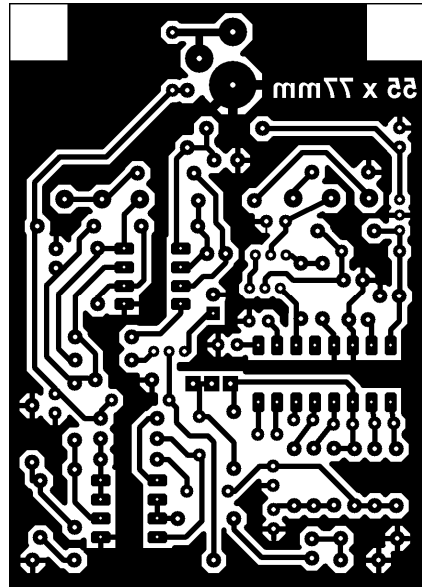
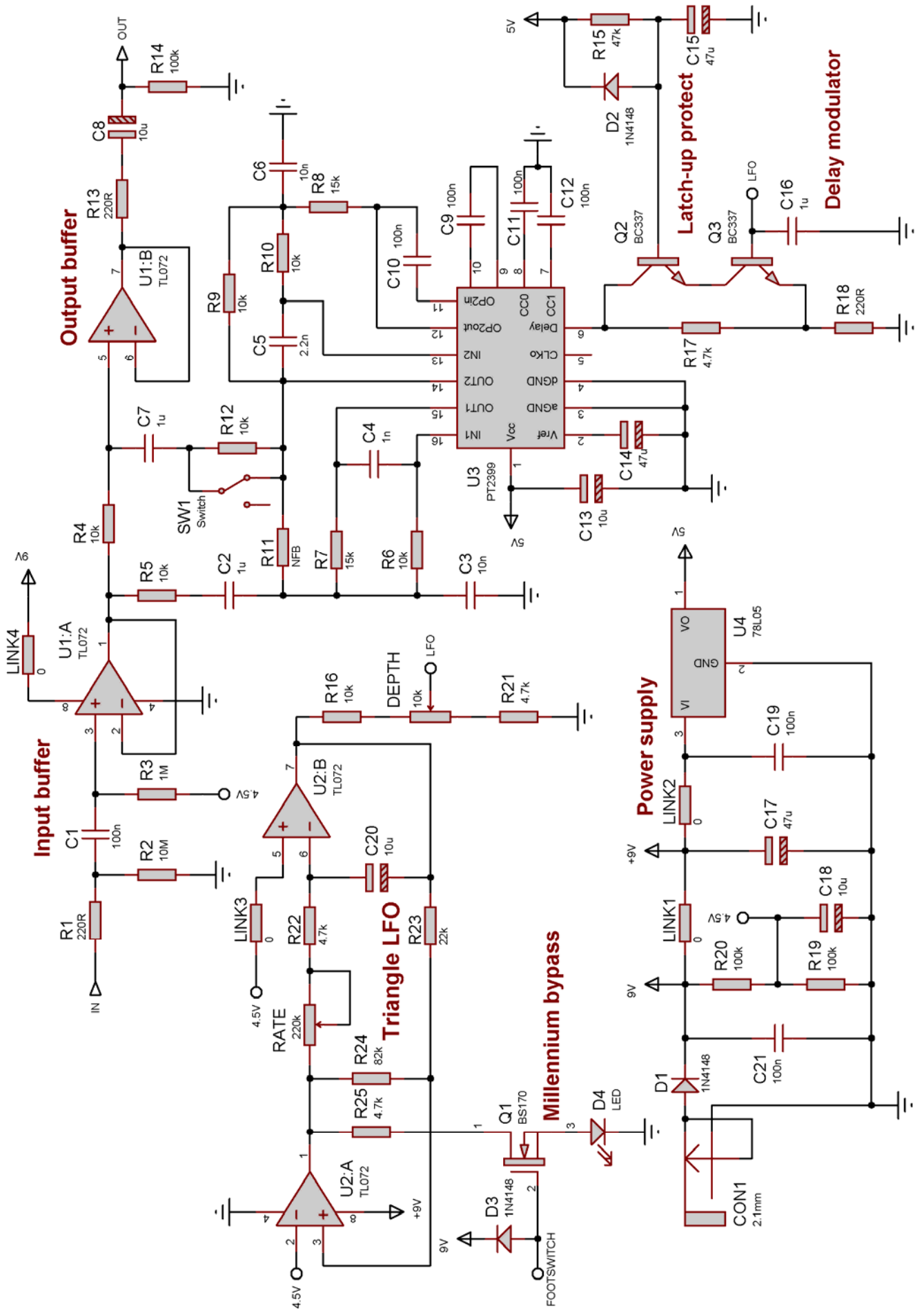


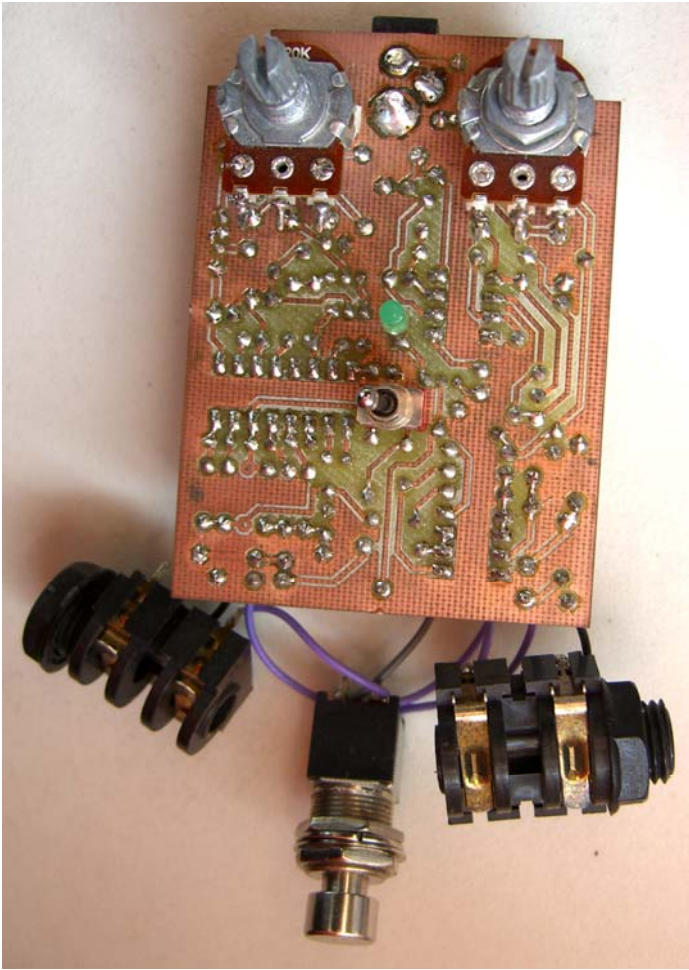
Jenny Greenteeth

Weird Chorus

by The Valve Wizard







Bill Of Materials For Jenny Greenteeth Chorus

Design Title : Jenny Greenteeth Chorus
Author : ValveWizard
Revision : 1.1
Design Created : 21 May 2012
Design Last Modified : 26 May 2013
Total Parts In Design : 65

25 Resistors

<u>Quantity:</u>	<u>References</u>	<u>Value</u>	<u>Notes</u>
3	R1, R13, R18	220R	
1	R2	10M	1M to 10M
1	R3	1M	
7	R4-R6, R9, R10, R12, R16	10k	
2	R7, R8	15k	
1	R11	NFB	100k (optional)
3	R14, R19, R20	100k	
1	R15	47k	
4	R17, R21, R22, R25	4.7k	
1	R23	22k	
1	R24	82k	

21 Capacitors

<u>Quantity:</u>	<u>References</u>	<u>Value</u>	<u>Notes</u>
7	C1, C9- C12, C19, C21	100n	
2	C2, C7	1u	
2	C3, C6	10n	
1	C4	1n	
1	C5	2.2n	
2	C8, C18	10u	

1	C13	10u	1uF to 10uF tantalum preferred
3	C14, C15, C17	47u	
1	C16	1u	Optional
1	C20	10u	Non polarised preferred

4 Integrated Circuits

<u>Quantity:</u>	<u>References</u>	<u>Value</u>	<u>Notes</u>
2	U1, U2	TL072	
1	U3	PT2399	
1	U4	78L05	

3 Transistors

<u>Quantity:</u>	<u>References</u>	<u>Value</u>	<u>Notes</u>
1	Q1	BS170	
2	Q2, Q3	BC337	Any high gain NPN

4 Diodes

<u>Quantity:</u>	<u>References</u>	<u>Value</u>	<u>Notes</u>
3	D1-D3	1N4148	
1	D4	LED	

8 Miscellaneous

<u>Quantity:</u>	<u>References</u>	<u>Value</u>	<u>Notes</u>
1	CON1	2.1mm	
1	DEPTH	10k	Linear
4	LINK1- LINK4	0	
1	RATE	220k	Logarithmic
1	SW1	Switch	