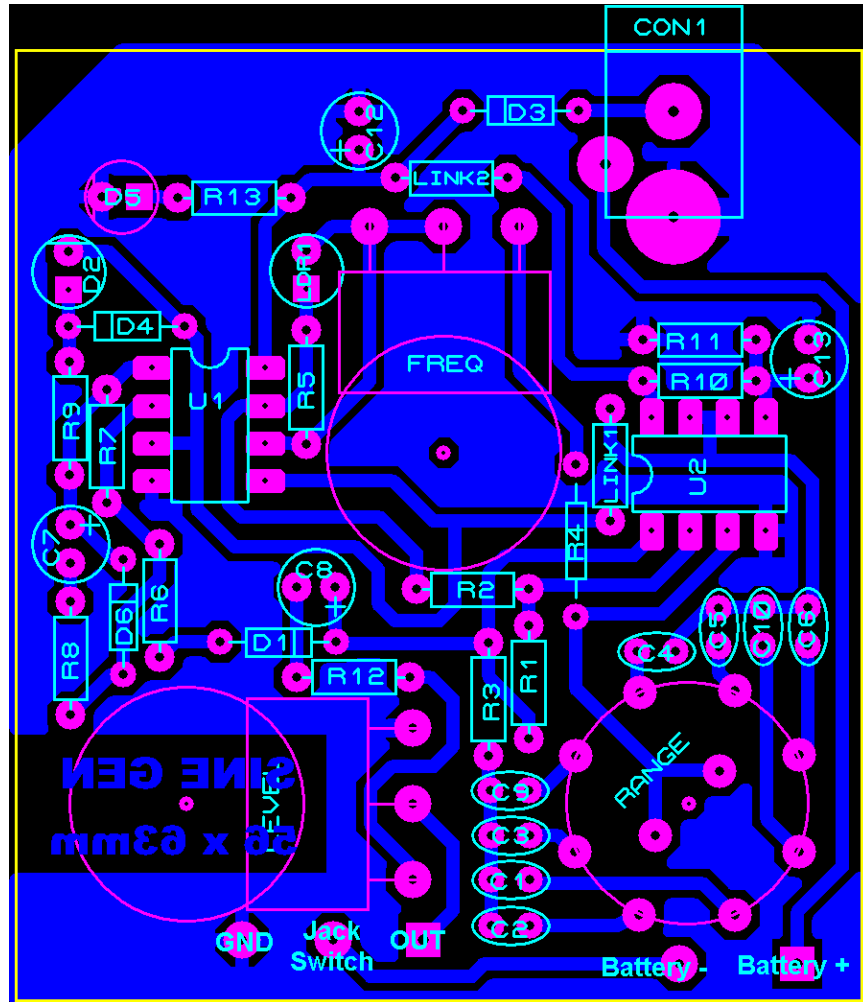
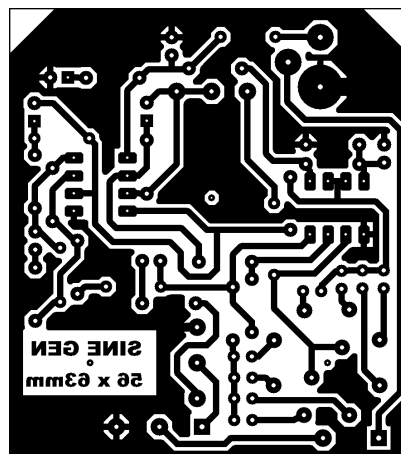


Low Cost Sine-Wave Generator

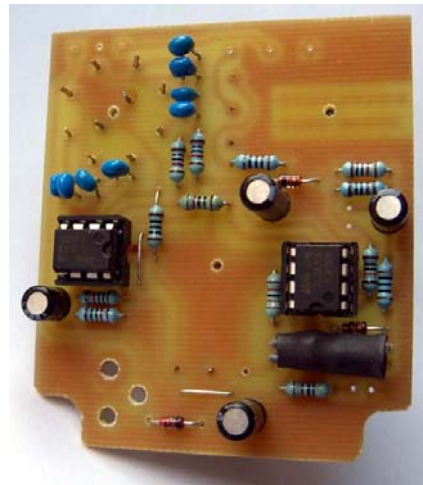
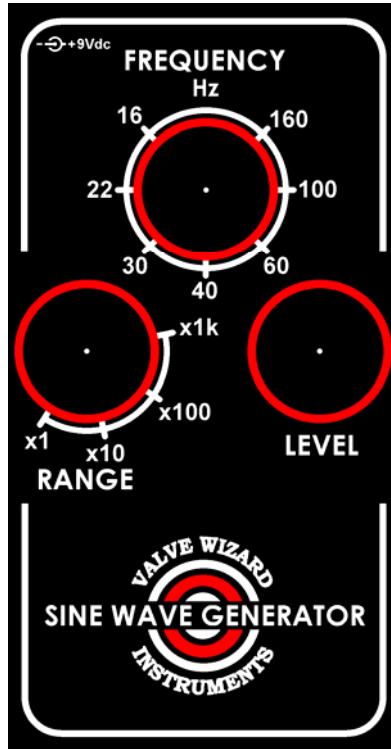
16Hz – 100kHz approx.
A ValveWizard circuit



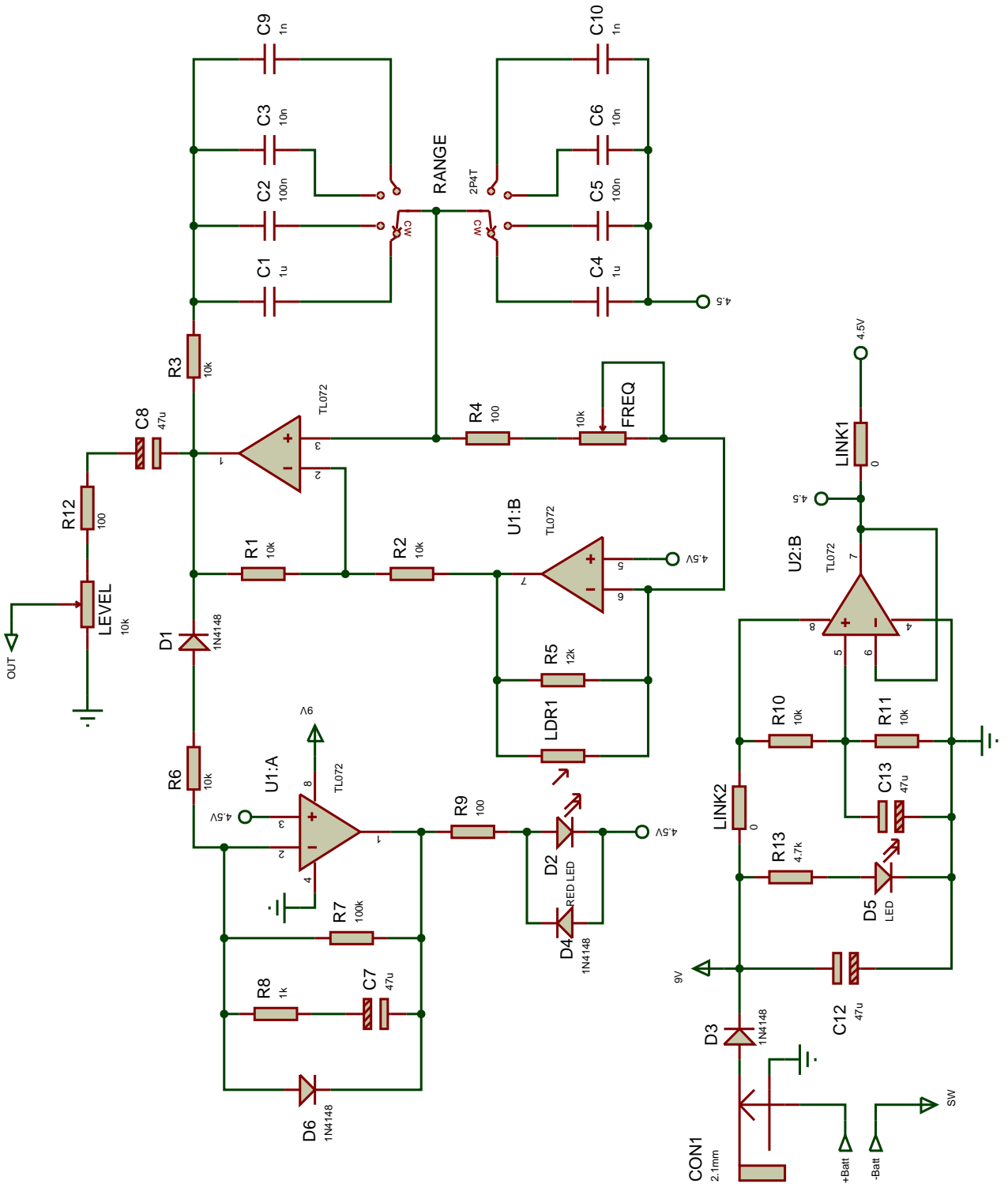
PCB 56 x 63mm



55 x 105mm







Bill Of Materials For Sine Wave Generator

Design Title : Sine Wave Generator

Author : ValveWizard

Revision :

Design Created : 27 November 2011

Design Last Modified : 09 May 2012

Total Parts In Design : 40

13 Resistors

<u>Quantity:</u>	<u>References</u>	<u>Value</u>	<u>Notes</u>
6	R1-R3, R6, R10, R11	10k	
3	R4, R9, R12	100	
1	R5	12k	
1	R7	100k	
1	R8	1k	
1	R13	4.7k	

12 Capacitors

<u>Quantity:</u>	<u>References</u>	<u>Value</u>	<u>Notes</u>
2	C1, C4	1u	
2	C2, C5	100n	
2	C3, C6	10n	
4	C7, C8, C12, C13	47u	
2	C9, C10	1n	

2 Integrated Circuits

<u>Quantity:</u>	<u>References</u>	<u>Value</u>	<u>Notes</u>
2	U1, U2	TL072	

6 Diodes

<u>Quantity:</u>	<u>References</u>	<u>Value</u>	<u>Notes</u>
4	D1, D3, D4, D6	1N4148	
1	D2	LED	Cheap red
1	D5	LED	

7 Miscellaneous

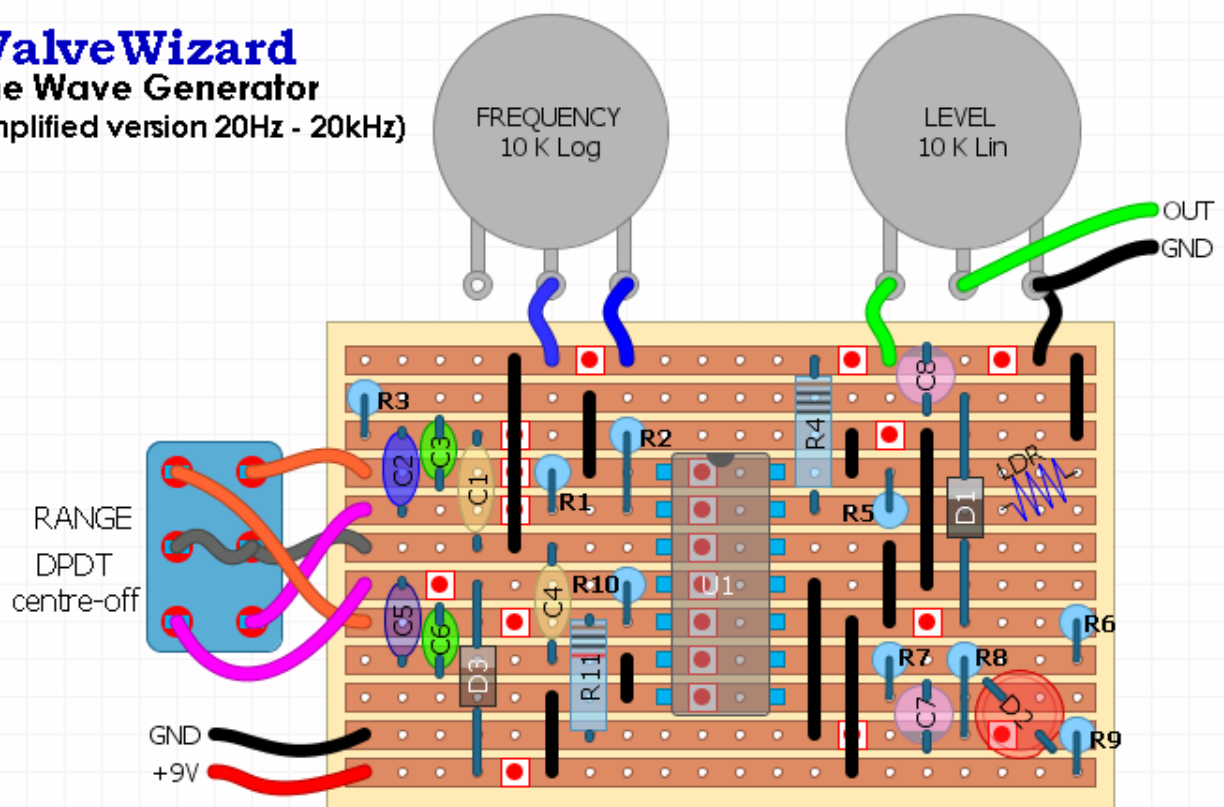
<u>Quantity:</u>	<u>References</u>	<u>Value</u>	<u>Notes</u>
1	CON1	2.1mm	
1	FREQ	10k	Log
1	LDR1		Dark resistance >100k
1	LEVEL	10k	Lin or log
2	LINK1, LINK2	0	
1	RANGE	2P4T	Rotary

27 May 2012 09:24:03

ValveWizard

Sine Wave Generator

(Simplified version 20Hz - 20kHz)



Board1		C7	47 uF	LEVEL	10 K Lin	R5	12 K
C1	10 nF	C8	10 uF	R1	10 K	R6	10 K
C2	100 nF	D1	1N4148	R10	10 K	R7	100 K
C3	1 uF	D2	RED LED	R11	10 K	R8	1 K
C4	10 nF	D3	1N4148	R2	10 K	R9	100 Ω
C5	100 nF	FREQUENCY	10 K Log	R3	10 K	SW1	DPDT
C6	1 uF	LDR	100 K	R4	100 Ω	U1	TL074